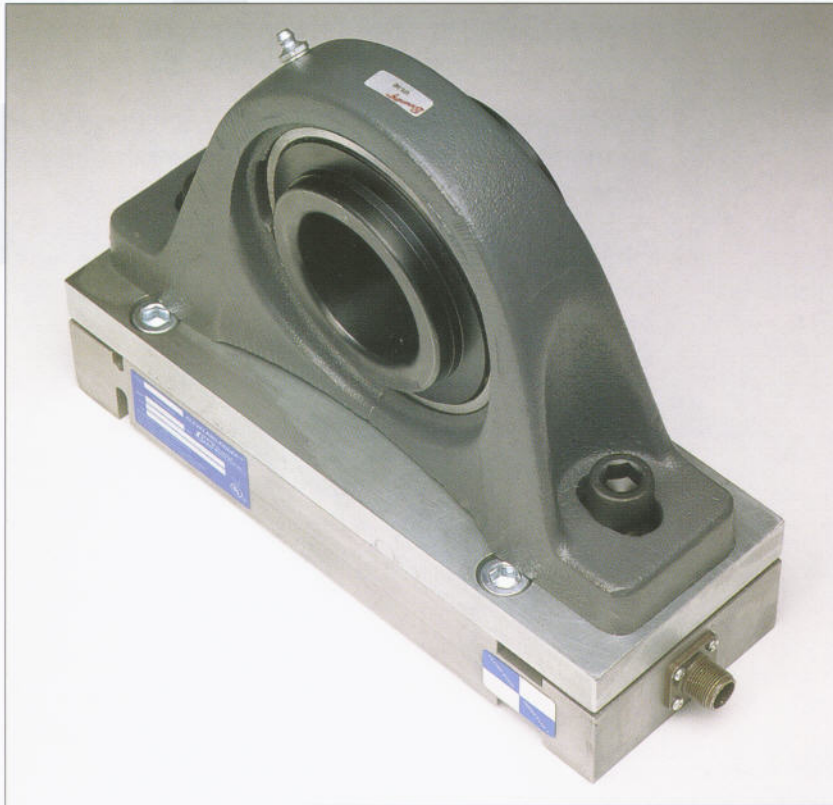




CMC Controls Ltd

THE WEB TENSION
SPECIALISTS



Waterproof
Under Plummer Block
Transducer, type WUPB
for rotating shaft rollers

WEB TENSION SENSING TRANSDUCERS

- Fully sealed to IP65 for wet and harsh environments.
- Aluminium Alloy or Stainless Steel for corrosion resistance.
- Measures tension horizontally, vertically or at any angle.
- 500% overload withstands tension transients.
- Nine force ratings give wide tension range, 50N to 15 tonnes.
- End connector eliminates Left and Right hand transducers.
- High signal level allows long connecting cables.
- Easily fitted under standard plummer (pillow) block bearings.
- Supplied with removable bearing mounting plate.
- Solid, one piece construction for added reliability.
- Low height, compact design.
- Well proven strain gauge technology.

Some important features of the WUPB Transducers

The Cleveland-Kidder range of Waterproof Under Plummer Block (WUPB) tension sensing transducers is suitable for any machine with rotating shaft rollers and plummer (pillow) block bearings.

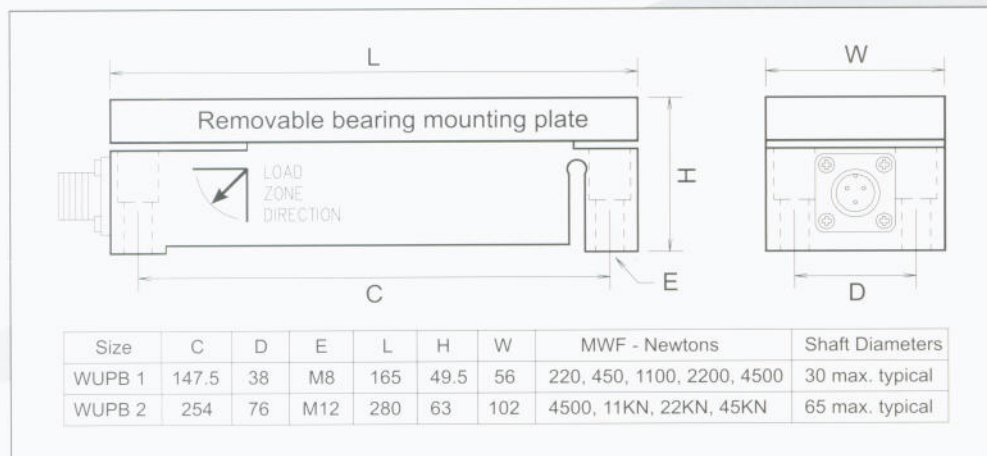
When fitted in pairs to a suitable non driven path roller they provide an accurate means of measuring the web tension in any continuous process.

The transducers are fitted under the existing bearings where the web wrap angle over the roller is constant. The removable bearing mounting plate accepts industry standard bearings.

Retrofitting to existing machines is a very simple operation. The low height, compact design means minimum disturbance to the web path.

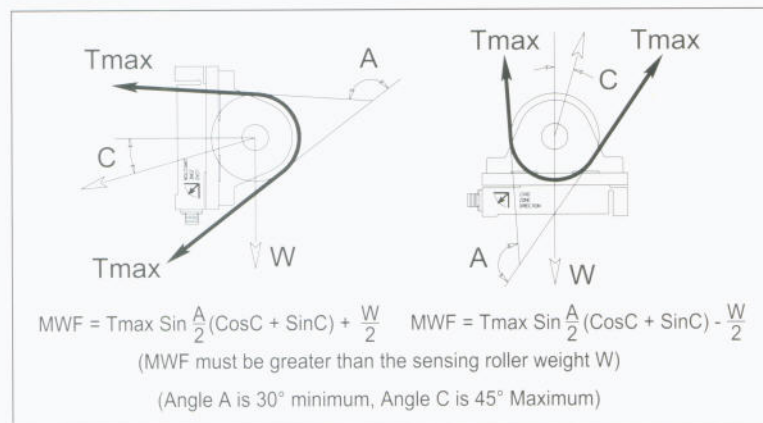
For Intrinsically Safe systems the transducers can be mounted in the hazardous area with proprietary zener barrier or galvanic isolator modules.

As the transducer is made from one solid piece and there are no moving parts, pivots, O rings, seals or bearings within the transducer, no maintenance is required.



Proven in over thirty years of demanding industrial use, these transducers are suitable for applications involving a wide range of tensions in industries as diverse as paper, textiles, floor covering, plastics, wire, cable, tyre, metals, foils and optical fibres.

The transducers comply with the relevant CE directives.



Specification

Excitation	10V at 25mA or 5.6V at 14mA
Output	10mV/V
Overload	500%
Body Material	Al. Alloy 610 for WUPB size 1 S. Steel 410 for WUPB size 2
Mounting Plate	S. Steel 310
Deflection	0.05mm
Temperature	0 to 90°C
Non Linearity and Hysteresis	0.5% of maximum force rating
Repeatability	0.2% of maximum force rating
Protection	IP65

Consult CMC Controls Ltd for full details of the chemical resistance capability.

- How to order** -
- 1- calculate the transducer maximum working force MWF or force rating using the formulae above;
 - 2- choose the transducer MWF and size and ensure that the bearing will fit the mounting plate;
 - 3- choose the zener barrier or galvanic isolator module for Intrinsically Safe systems;
 - 4- choose the standard or waterproof cable as required and order from CMC Controls Ltd

A range of compatible tension Indicators and Controllers is available from CMC Controls Ltd, the web tension specialists

 CMC Controls Ltd www.cmcccontrols.co.uk	REPRESENTED BY AGENTS IN EUROPE AND AUSTRALASIA	Associate Company  An IMC Company
	C6, CHAUCER BUSINESS PARK KEMSING SEVENOAKS KENT TN15 6PL ENGLAND TELEPHONE +44 (0) 1732 763278 FAX +44 (0) 1732 763279	