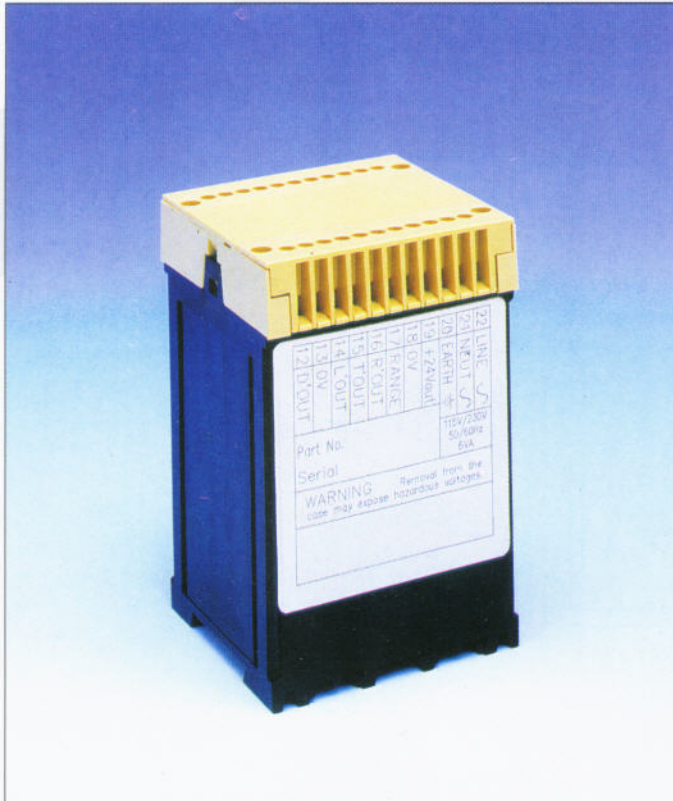




# CMC Controls Ltd

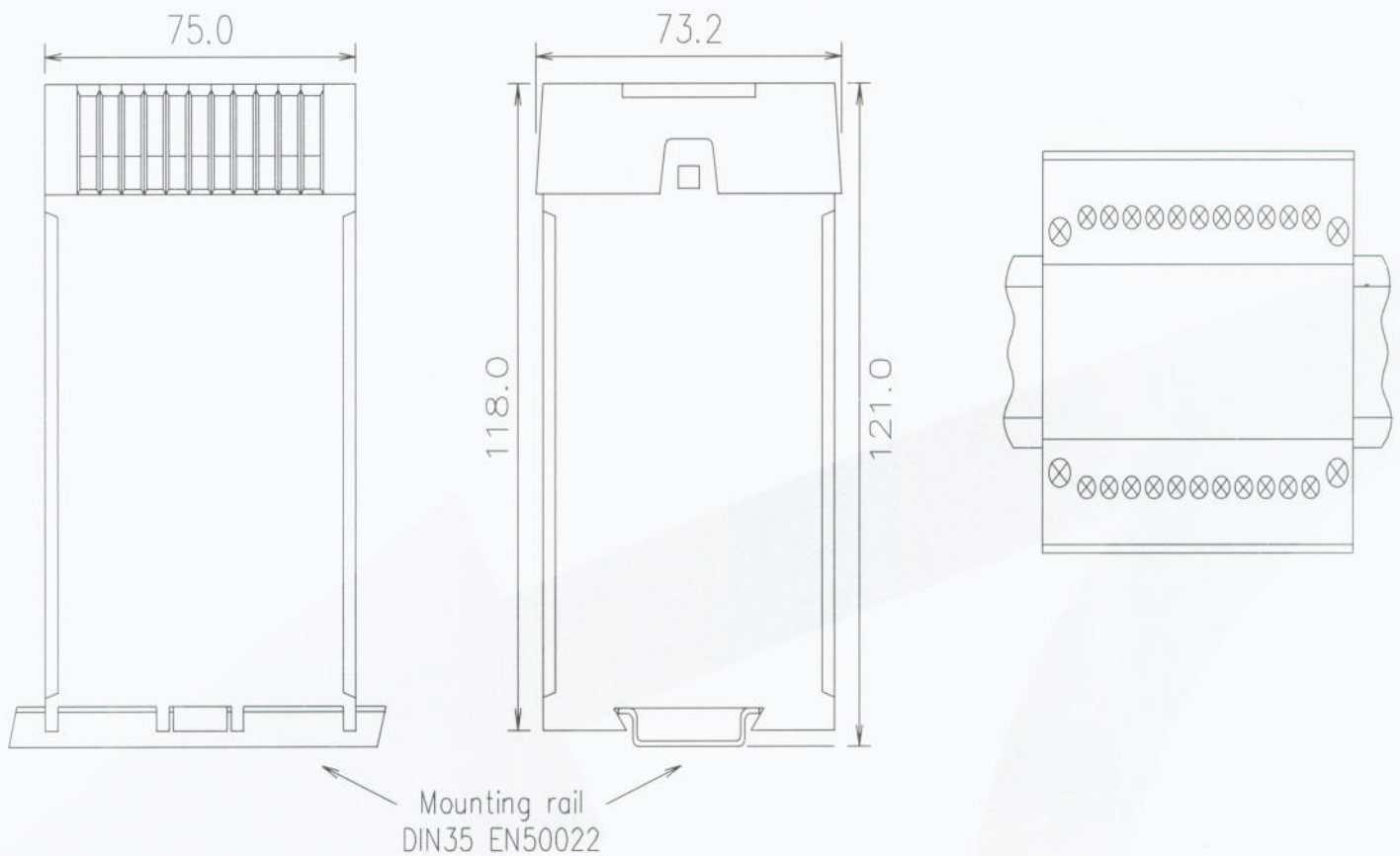
## THE WEB TENSION SPECIALISTS



For use wherever continuous  
and accurate measurement  
of actual tension is required

## 2700 TENSION AMPLIFIER

- Suitable for all types of tension and force transducers
- Internal adjustments for ZERO, CALIBRATE HIGH, CALIBRATE LOW, and output filter DAMPING rate.
- Analogue output of either 0/+10 V or 4/20 mA, for remote indications and for use with a control system.
- Housed in a rugged DIN rail mounting GRP case with removable screw connections
- Dual measuring ranges as standard. LEFT, TOTAL and RIGHT outputs are an optional extra.
- Intrinsically safe systems for hazardous area use are available.



## TECHNICAL SPECIFICATION

### SUPPLY VOLTAGE

*110-120v or 220-240v @ 50/60 Hz AC 6VA Internally Selected. Optional version available for 24v DC supply @ 100mA.*

### TRANSDUCER SUPPLY

*5v, 10v or 12.5vDC, internally selected.*

### INPUT SENSITIVITY

*16v/v min. to 4000v/v max. on HIGH range. Additional Gain up to 5 times on LOW range.*

### RANGE SELECTION

*By volt free contact or logic level (5-24v)*

### ANALOGUE OUTPUT

*Optional LEFT, TOTAL, RIGHT voltage outputs.*

### OUTPUT FILTER

*Time constant adjustable from 0.3 to 3.5 seconds. (Configured according to need)*

### TEMPERATURE RANGE

*0/40 degrees Celsius*

### OTHER DATA

*Housing protection to IP40, and suitable for mounting onto 35 mm DIN mounting rail to EN 50022.*

*EMC to EN50081-1*

*Safety to EN 61010.*

A range of compatible Tension Transducers is available from CMC Controls Ltd the specialists in web tension systems.

REPRESENTED BY

Associate  
Company



**CMC Controls Ltd**

[www.cmccontrols.co.uk](http://www.cmccontrols.co.uk)

AGENTS IN  
EUROPE AND  
AUSTRALASIA



CLEVELAND, USA.

Unit C6, Chaucer Business Park, Watery Lane, Kemsing, Kent TN15 6PL, U.K.  
Telephone: +44 1732 763278 Fax: +44 1732 763279